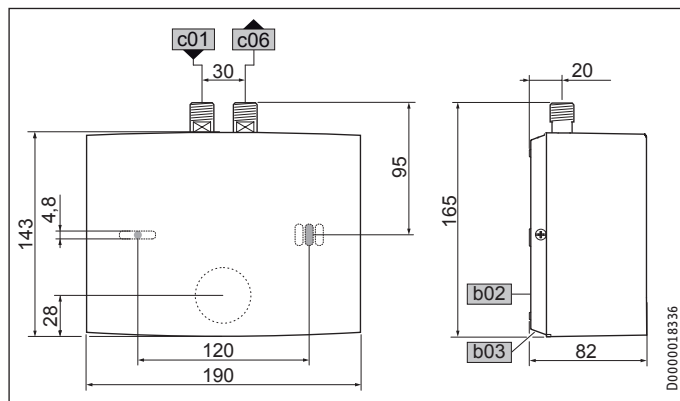


INSTALLATION Specification

15. Specification

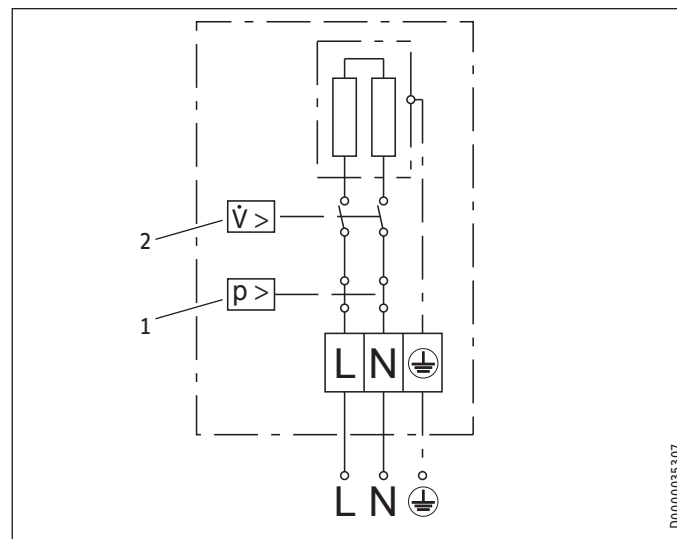
15.1 Dimensions



b02	Entry for electrical cables I		
b03	Entry electrical cables II		
c01	Cold water inlet	Male thread	G 3/8 A
c06	DHW outlet	Male thread	G 3/8 A

15.2 Wiring diagram

15.2.1 EIL 3 Plus 1/N/PE ~ 200-240 V



- 1 Safety pressure limiter
- 2 Pressure differential switch